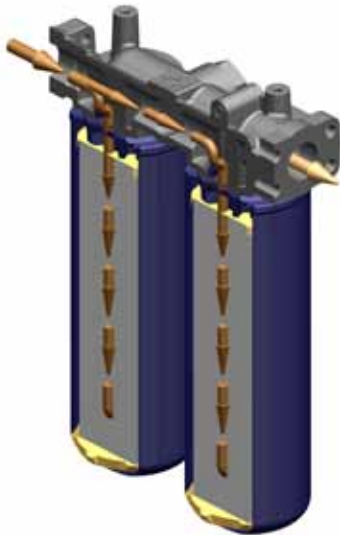


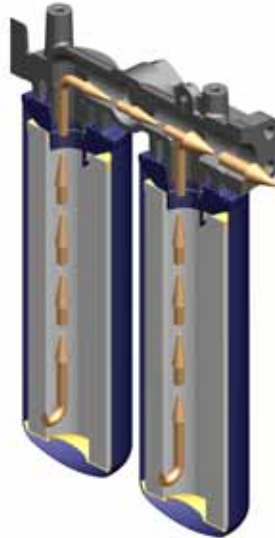
Single Pass Filtration

Designed for systems of any size, with minimal pressure drop

Donaldson bulk assemblies are manufactured and piped in parallel flow configurations to reduce pressure drop across the assembly, providing single-pass filtration performance, resulting in the targeted fluid cleanliness.



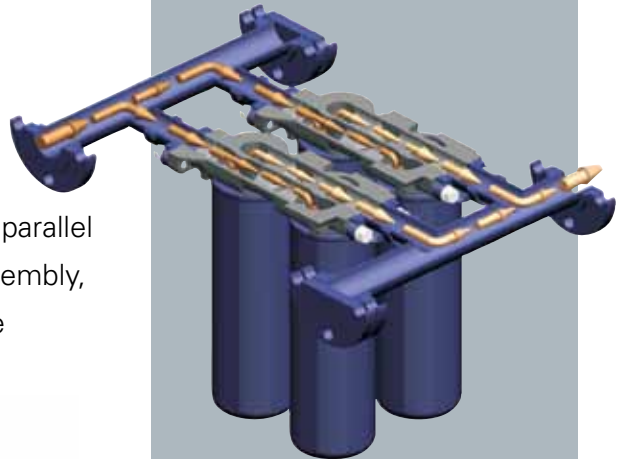
The flow is split between the two filters shown. Half of the flow travels through the first filter and the remaining flow travels through the second filter. Flow does not travel through both filters in sequence.



Fluids pass through the media and cleanliness targets are achieved in a single pass.



Clean fluid is pushed out of the filter, through the head and out into storage or for use.



Donaldson Delivers Material Compatibility

Donaldson bulk heads are constructed of aluminum with steel inserts to prevent excessive metal-to-metal bonding, or galling, between the head and the filter.

Viton® seals are used in all designs (unless otherwise specified) to maintain compatibility with most fluids.

Manifolds are constructed of painted carbon steel pipe with SAE 150 flanges. Manifolds are used to plumb together multiple dual heads (P568583) to handle high flow rates.

Viton is a registered trademark of E. I. du Pont de Nemours and Company.

Filters and Filter Heads

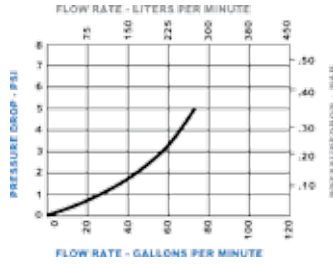
Clean fuels and oils on the inlet side to maintain cleanliness levels in bulk storage tanks. These products can also be used on the outlet.

FILTERS	Typical Fluid Applications	Max. Working Pressure	Rated Static Burst	Max. Flow Range	Operating Temperature	Target Iso Cleanliness	ISO Filter Efficiency
P568664	Engine Oil and Gear Oil	350 PSI/24.1 bar	800 PSI/55.2 bar	65 gpm/246 lpm	-40°F-190°F/-40°C -88°C	18/16/13	25 micron@ Beta 2000
P568665	Transmission Oil and Hydraulic Oil					16/14/11	7 micron @Beta 2000
P568666	All Fuels					14/13/11	4 micron@Beta 2000
P570248	Water-Absorbing for Ethanol-Free Fluids*						20 micron@Beta 2000

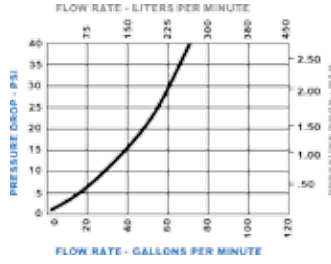
*Designed with expanding media that prevents water from entering storage or equipment tanks. Not recommended for contamination removal.



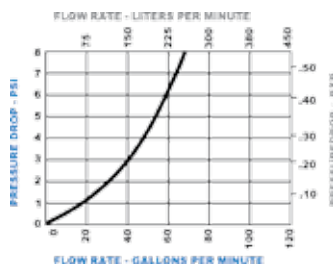
P568664



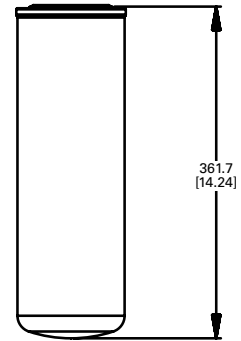
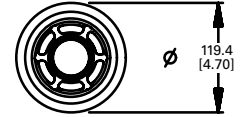
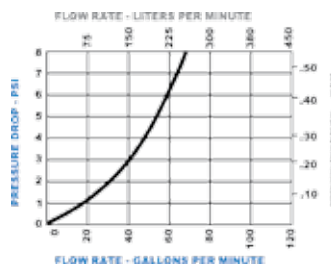
P568666



P568665



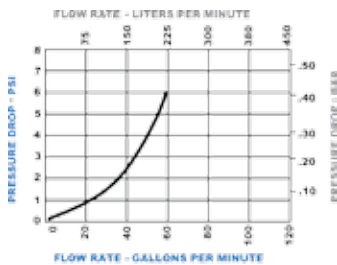
P570248



FILTER HEADS

Filter Quantity	Mounting Connection	Max. Working Pressure	Rated Static Burst	Max. Flow Range
P570329	1 SAE-20 O-Ring	350 PSI/24 bar	800 PSI/55 bar	65 gpm/246 lpm
P570330	1 1/4" NPT			65 gpm/246 lpm
P568583	2 1 1/2" SAE 4-Bolt			125 gpm/473 lpm

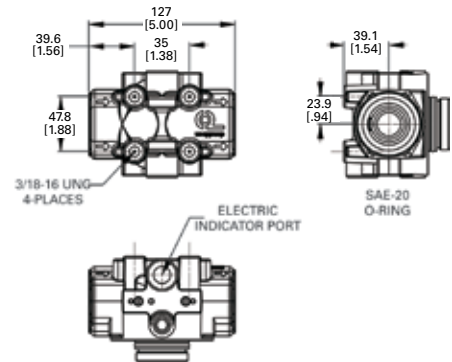
All Filter Heads



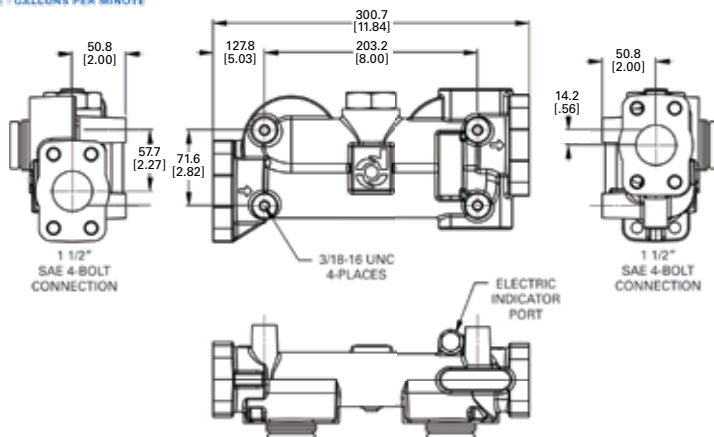
Rotate clockwise to install filter. 2" clearance necessary to change filter



P570329



P568583



P570330

